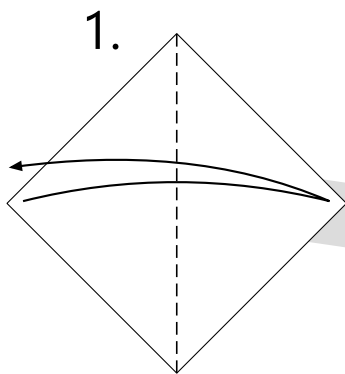
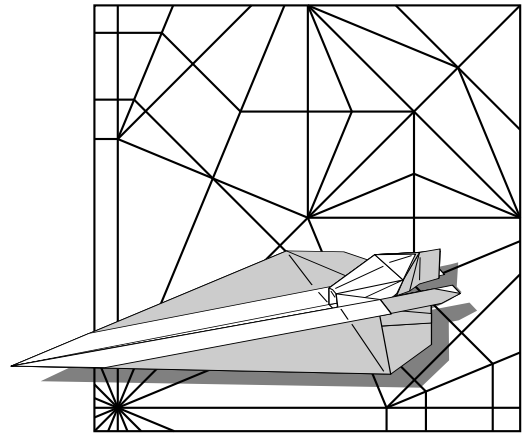


Jedi Starfighter

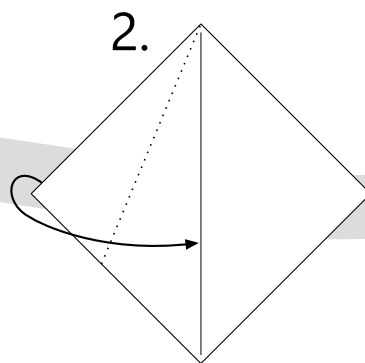
Design and diagrams by Max d'Anger

Designed: 10/07/2012

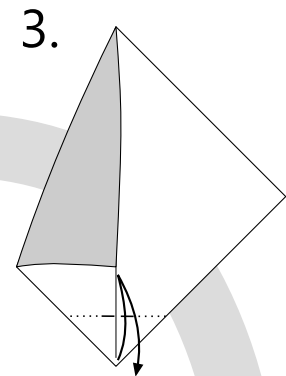
Diagramed: 24/06/2015 - 27/06/2015



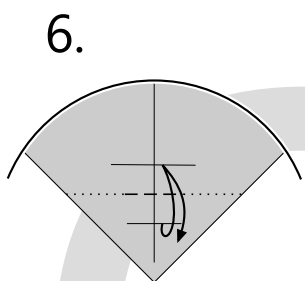
Fold and unfold in half



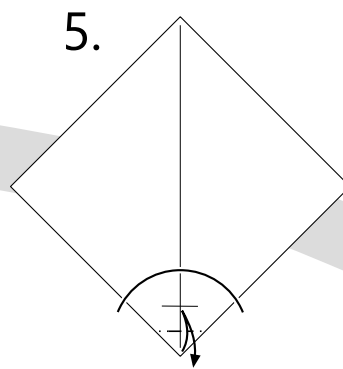
Bring the edge to the crease line but don't crease



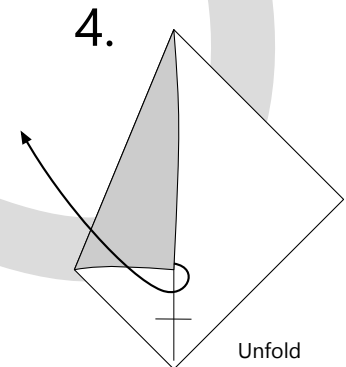
Pinch in half and unfold



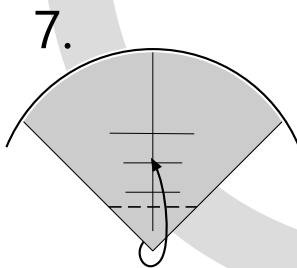
Fold edge to edge and unfold



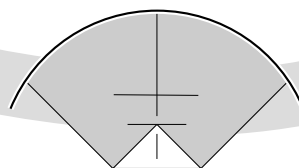
Pinch in half;
Turn over



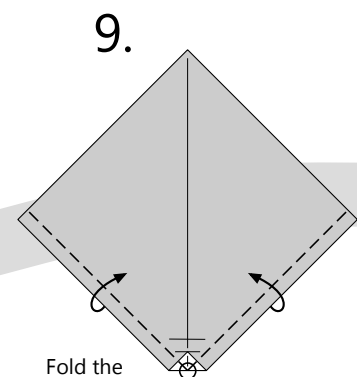
Unfold



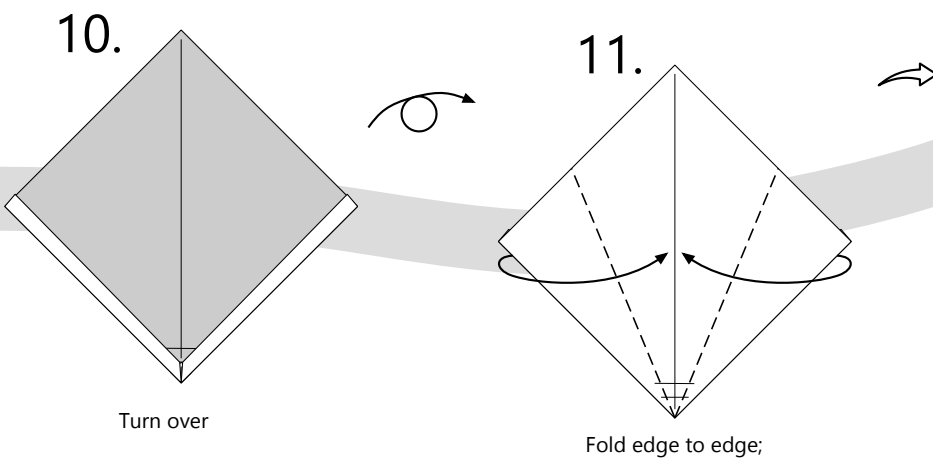
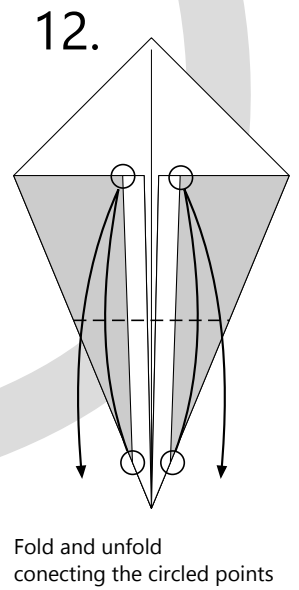
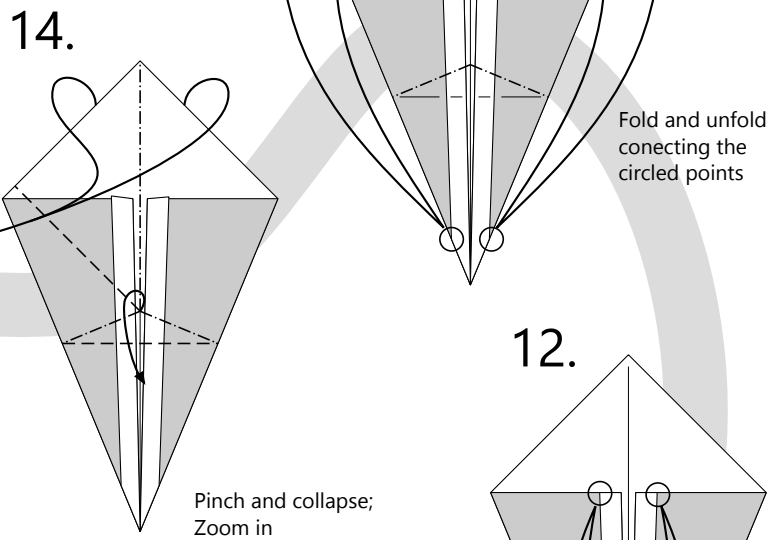
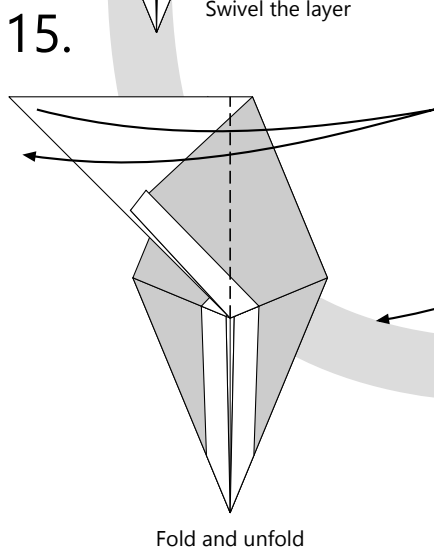
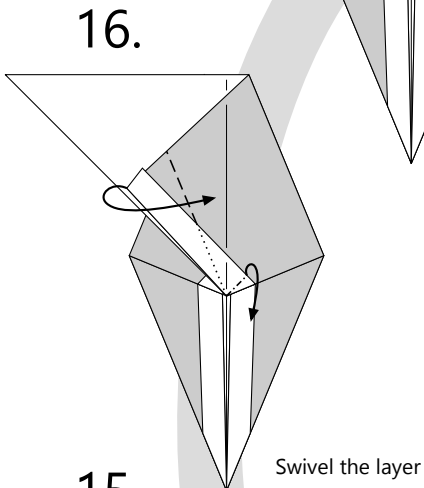
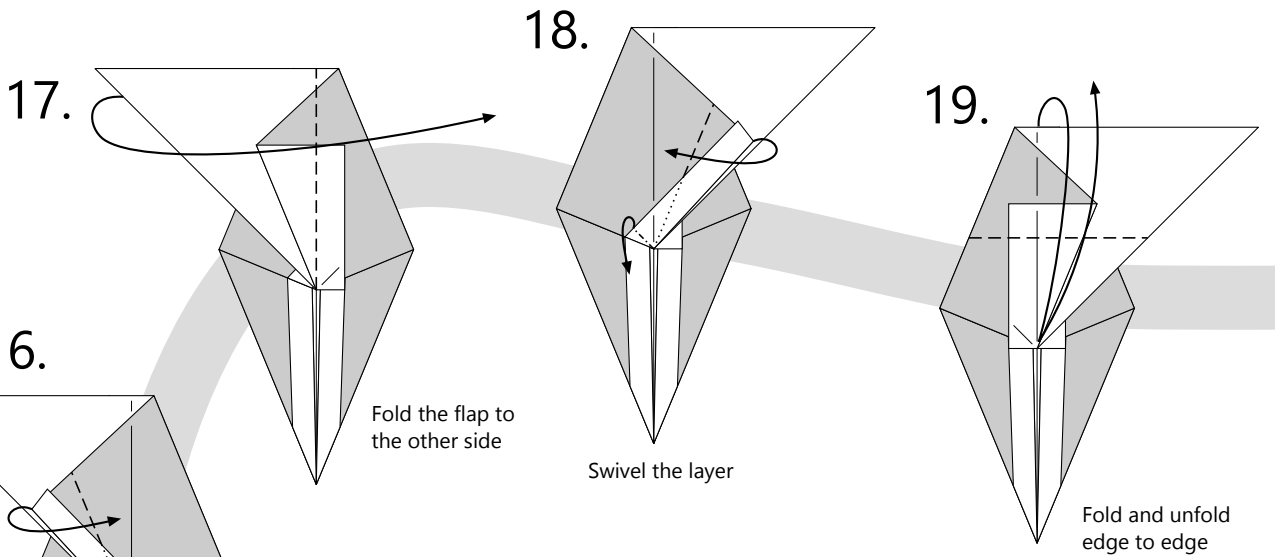
Fold the corner to the crease



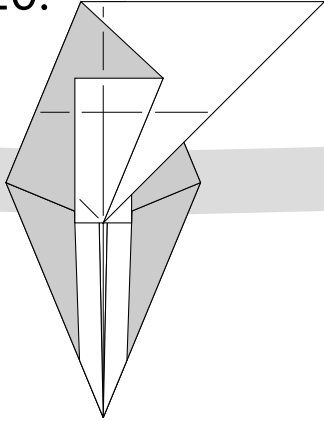
Zoom out



Fold the
edges up as
indicated

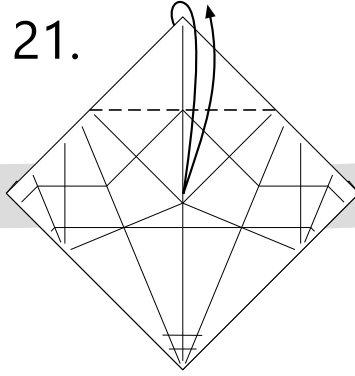


20.



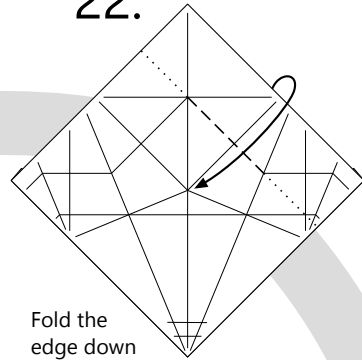
Unfold to step 10

21.



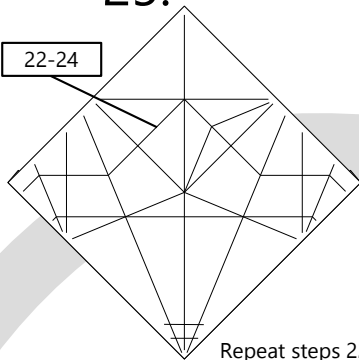
Fold and unfold

22.



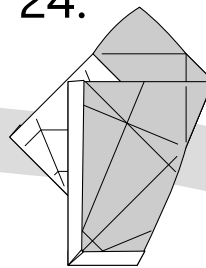
Fold the edge down

25.



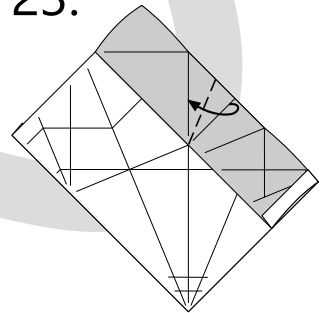
Repeat steps 22-24 on the other side

24.



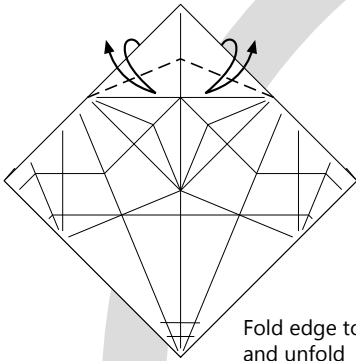
Unfold

23.



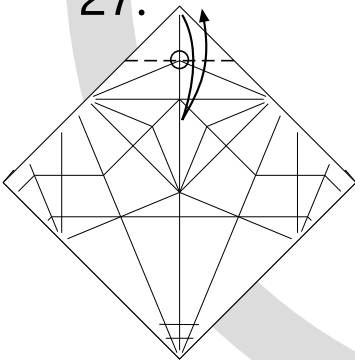
Fold edge to edge

26.



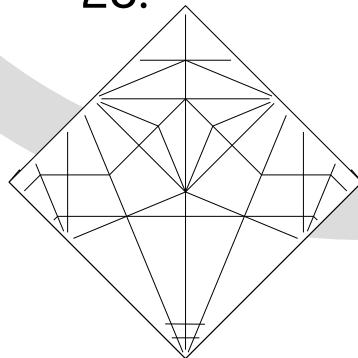
Fold edge to edge and unfold

27.



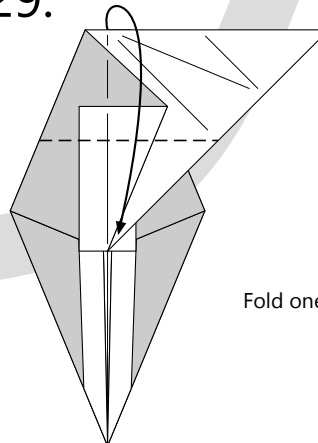
Fold and unfold

28.



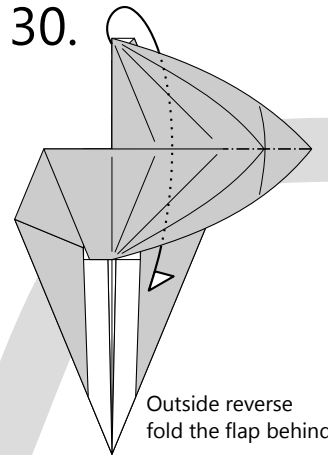
Refold to step 20

29.



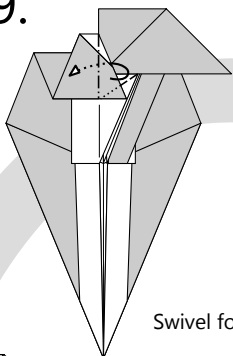
Fold one edge down

30.



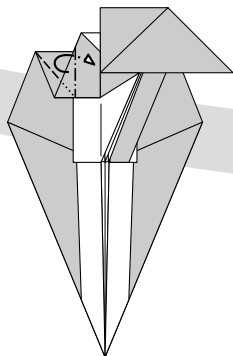
Outside reverse fold the flap behind

39.



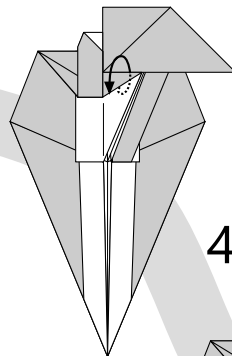
Swivel fold

40.



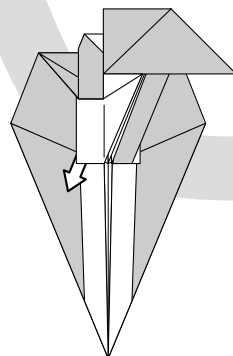
Swivel fold

41.



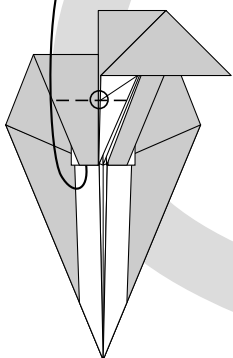
Wrap one layer from behind to the front

42.



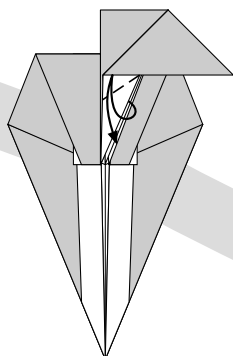
Pull out some trapped paper

38.



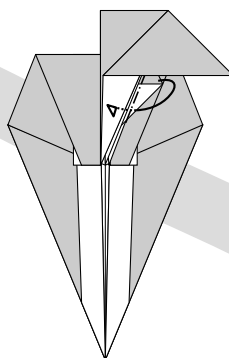
Fold up through the circled point

37.



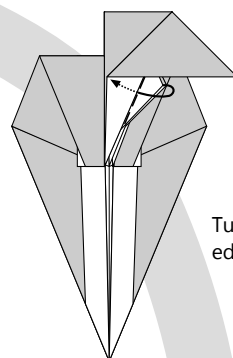
Precrease in half and unfold

36.



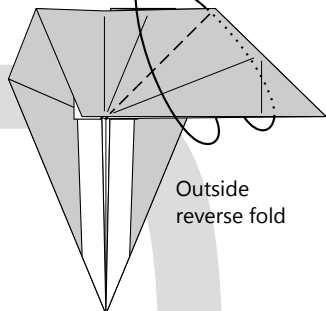
Repeat behind

35.



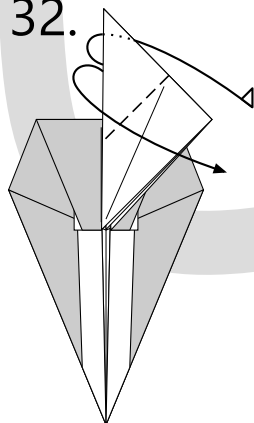
Tuck the edge inside

31.



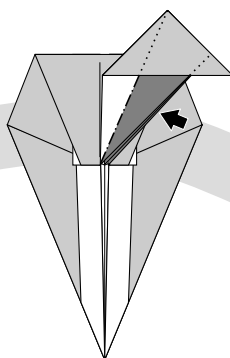
Outside reverse fold

32.



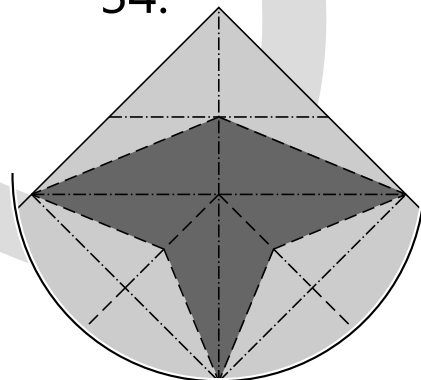
Outside reverse fold

33.

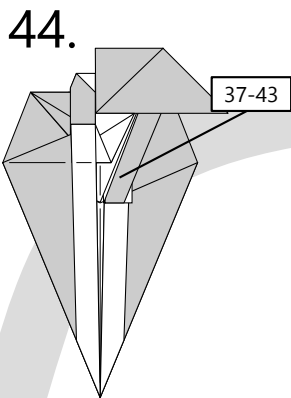


Open sink the darkened layers

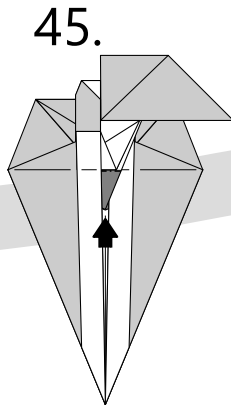
34.



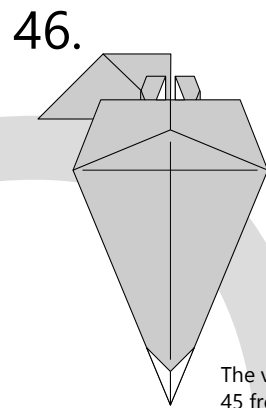
CP of step 33



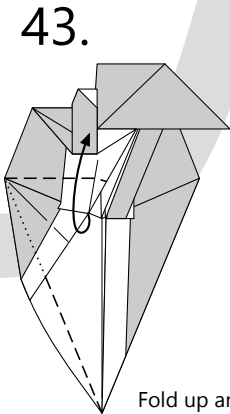
Repeat steps 37- 43
on the other side



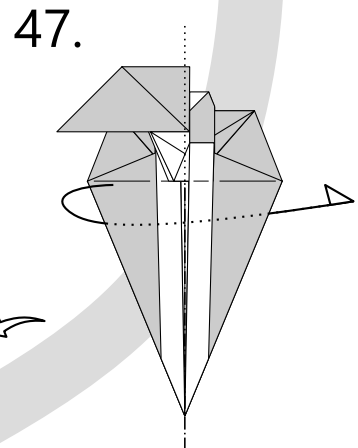
Open sink the edge up



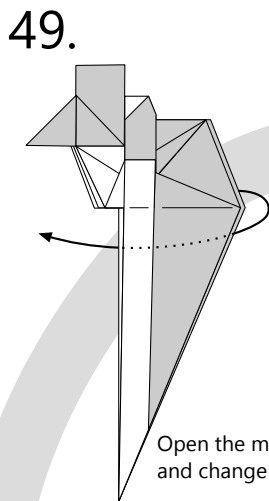
The view of
45 from behind



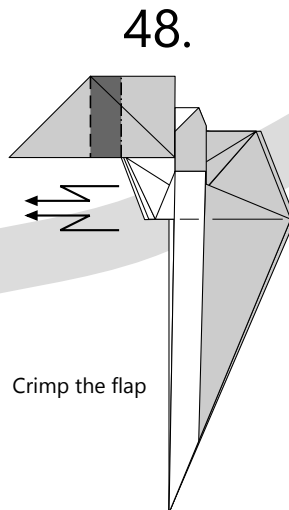
Fold up and
flatten the model



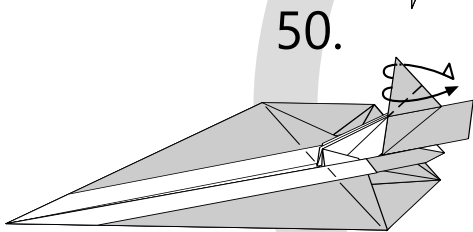
Fold the model in half;
Zoom in



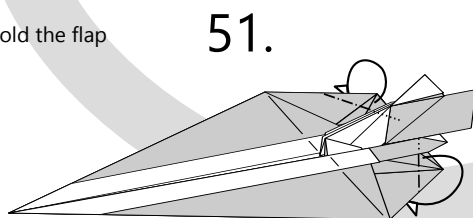
Open the model
and change view



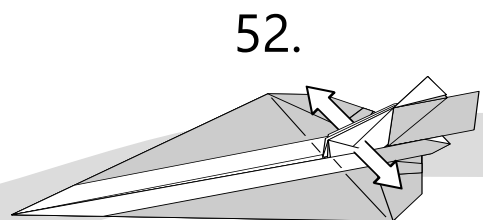
Crimp the flap



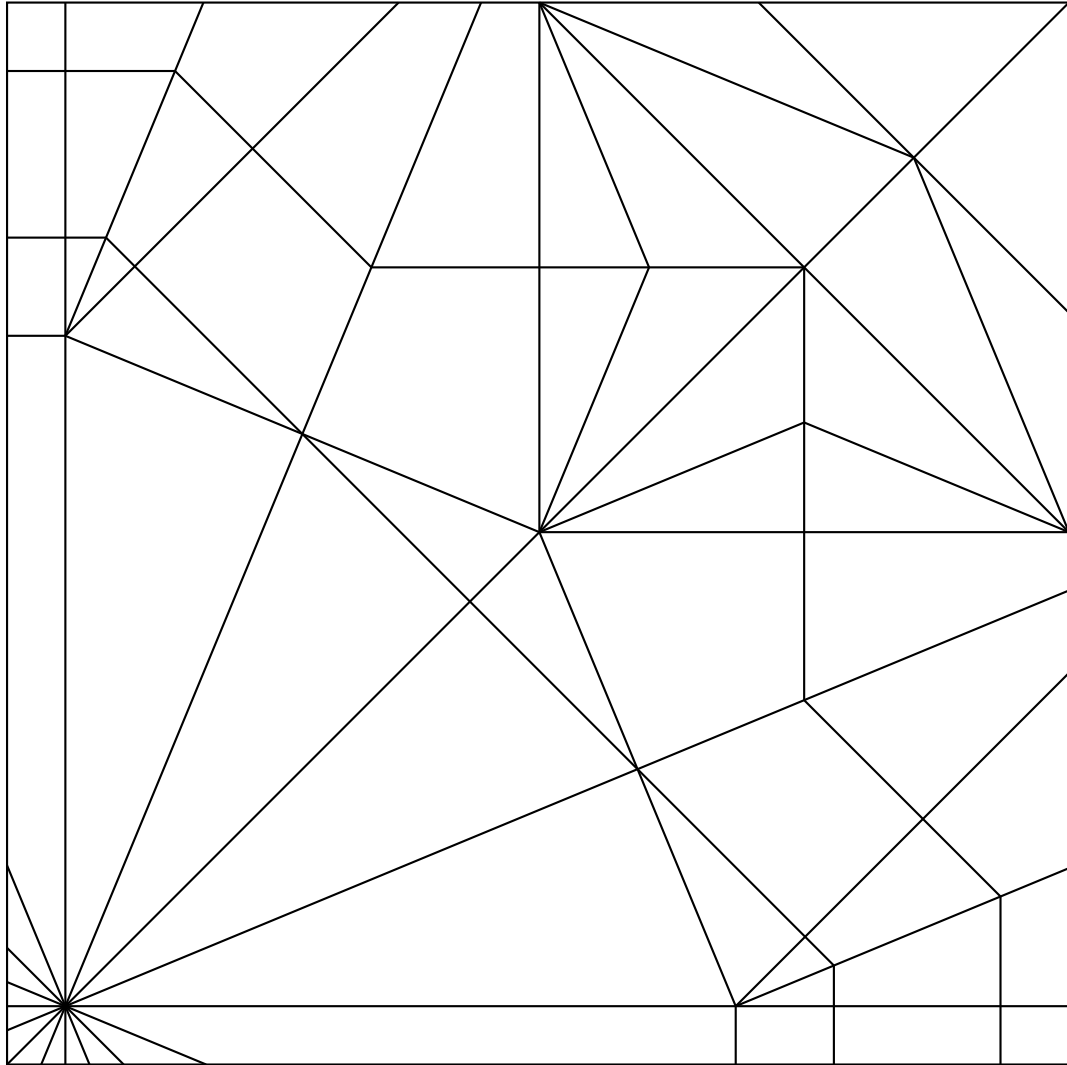
Outside reverse fold the flap



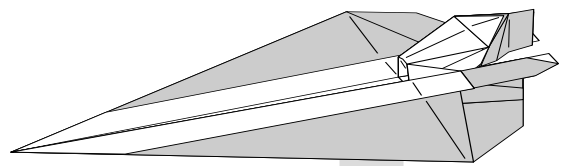
Mountain fold the edges behind



Puff out the
cluster of layers

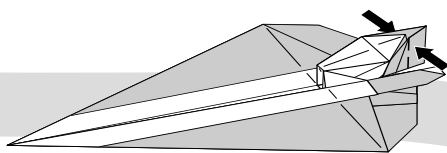


55.



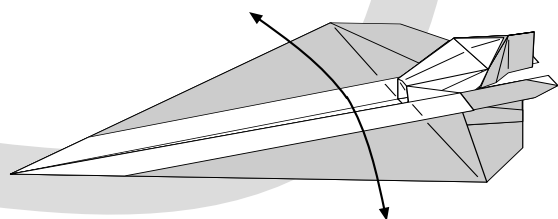
Finished

53.



Pinch and shape the cockpit

54.



Shape the model