

POKÉMON DRATINI

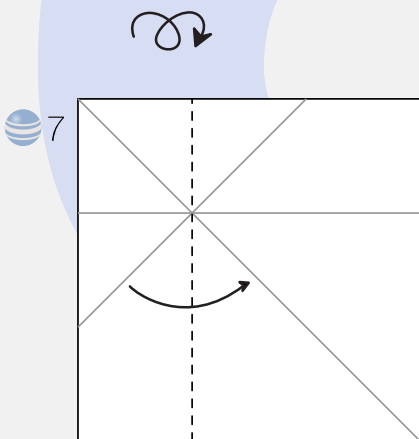
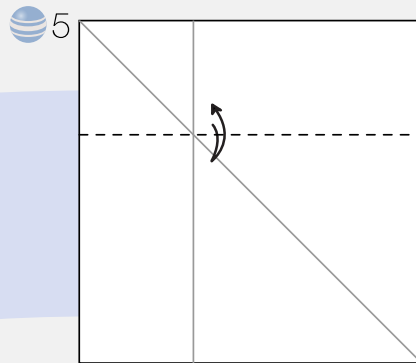
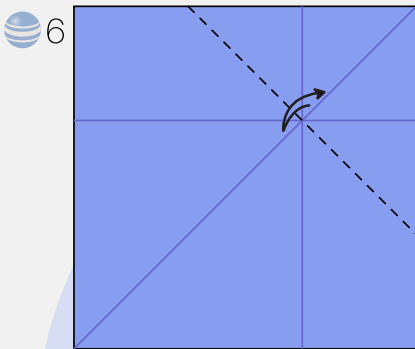
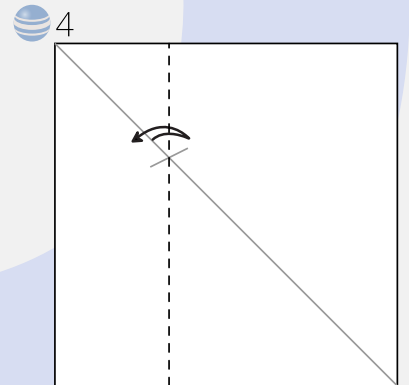
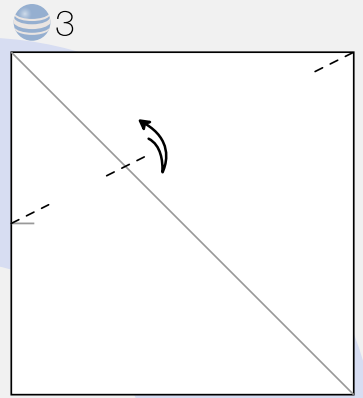
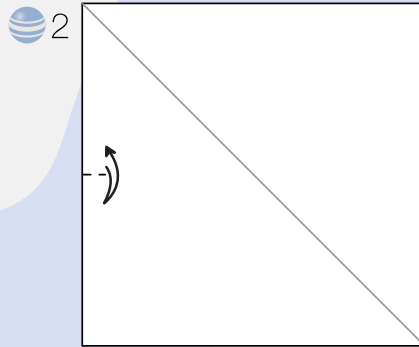
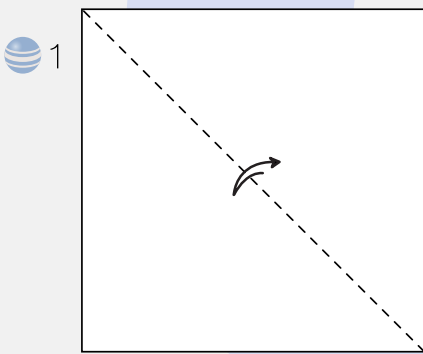
DESIGN & DIAGRAM: ADILIO TOLEDO

Paper: 30 - 40 g/m²

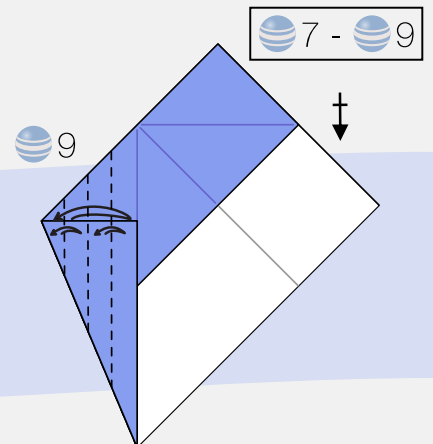
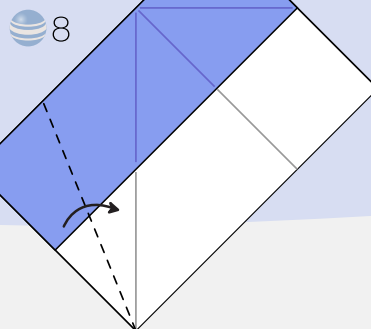
Paper size: 20 - 20 cm

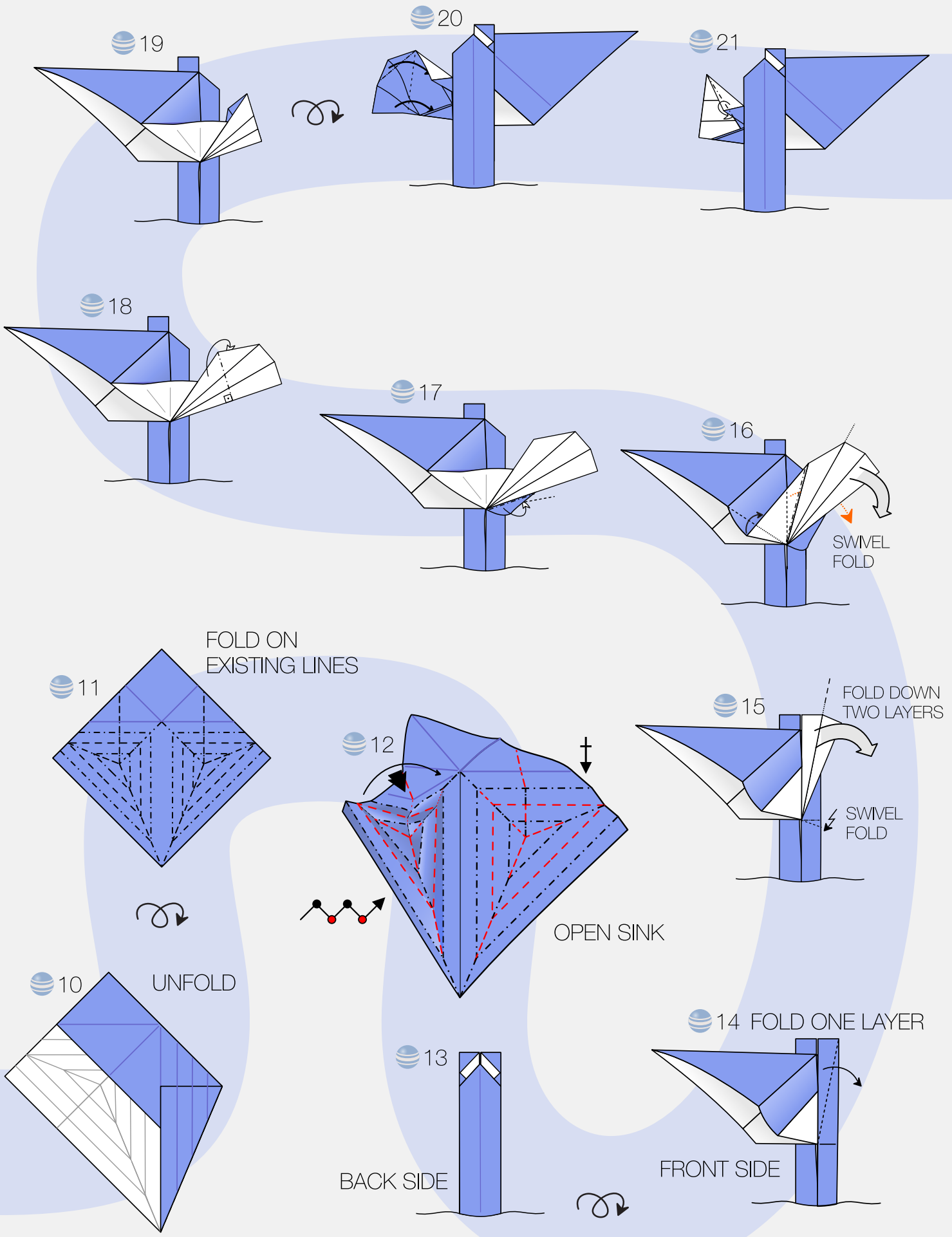
You need 31 🌐 Dratini

Difficulty: ☆☆☆



45°





19

20

21

18

17

16

SWIVEL FOLD

FOLD ON EXISTING LINES

11

12

FOLD DOWN TWO LAYERS

15

SWIVEL FOLD

OPEN SINK

10

UNFOLD

13

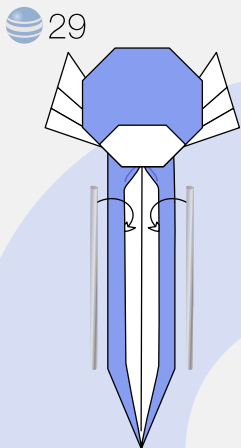
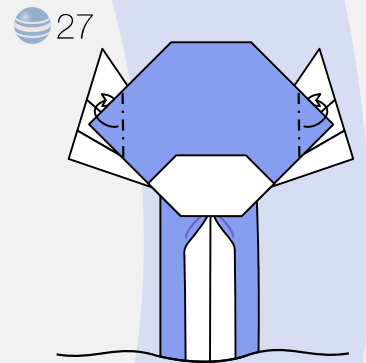
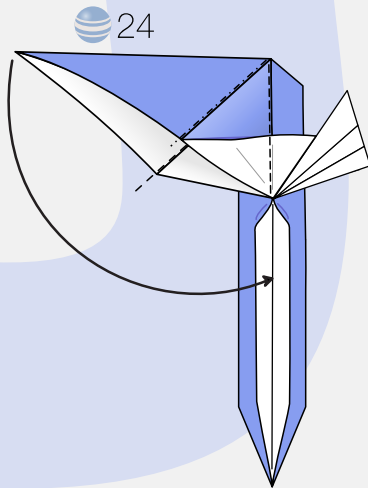
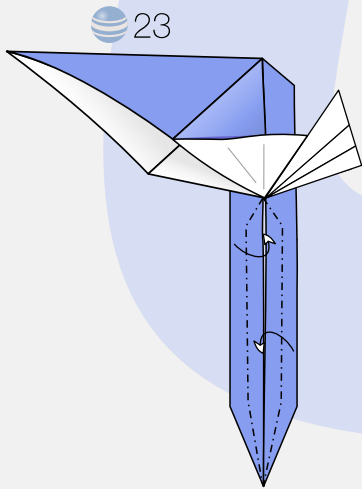
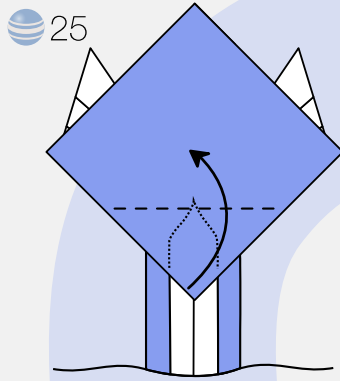
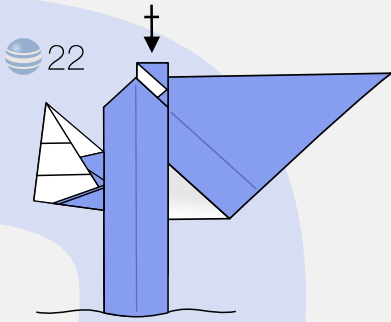
BACK SIDE

14

FOLD ONE LAYER

FRONT SIDE

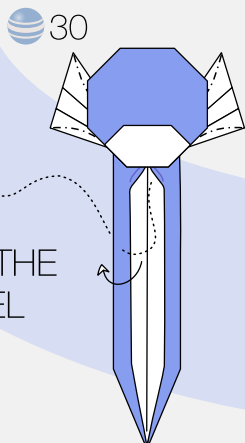
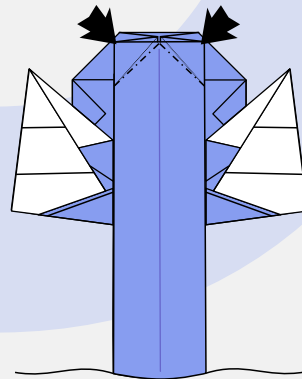
14 - 21



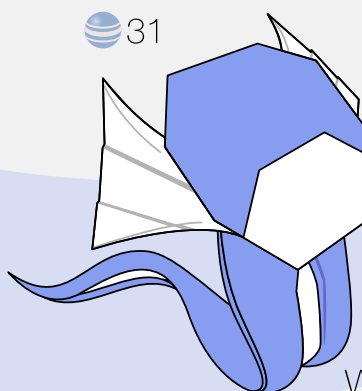
Insert stem of aluminum foil into the pockets to shape if necessary



28 CLOSED SINK



SHAPE THE MODEL



DRATINI WAS CAUGHT!

THANKS FOR FOLDING!





DESIGNER
— TOLEDO