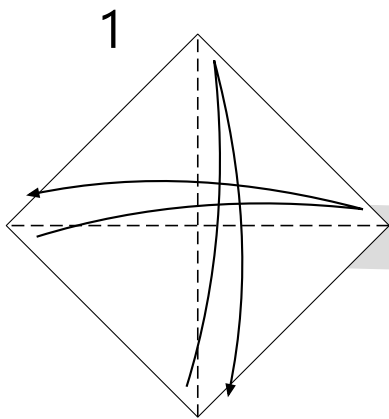
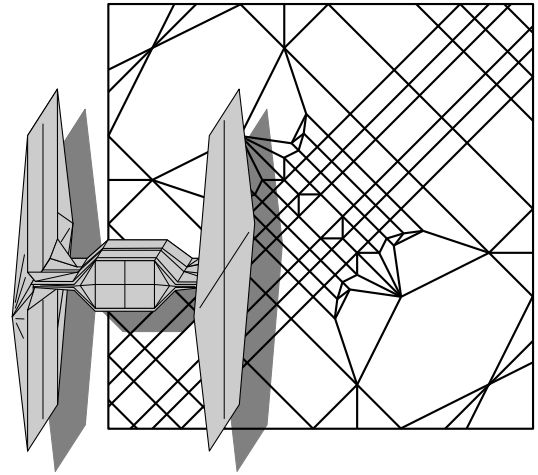


Tie Fighter

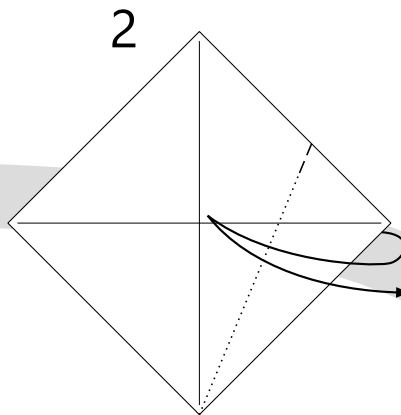
Design and diagrams by Max d'Anger

Designed: 21/11/2015

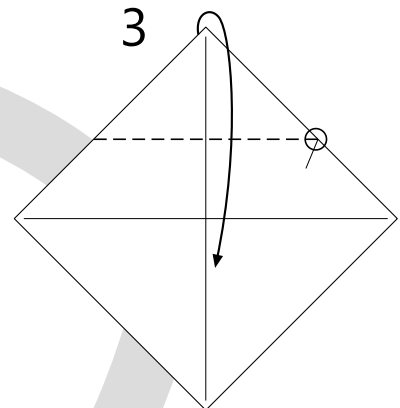
Diagrammed: 23/11/2015 - 25/11/2015



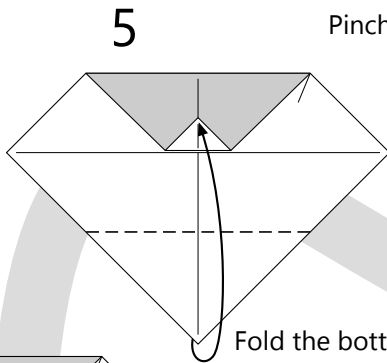
Fold and unfold in half



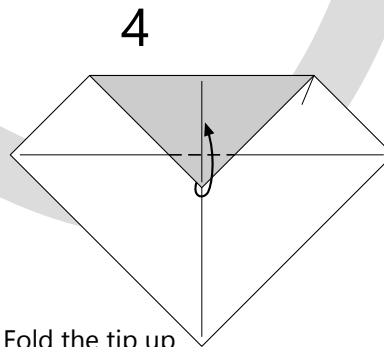
Pinch an angle bisector



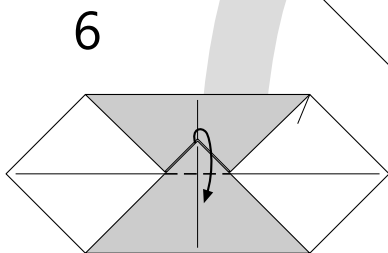
Fold down through the circled reference



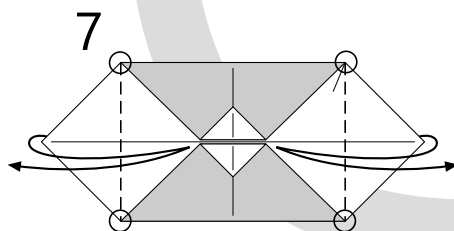
Fold the bottom flap to the tip



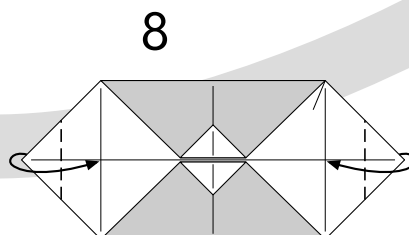
Fold the tip up aligned with the crease



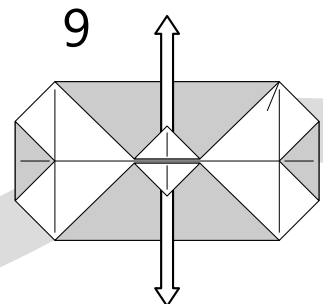
Fold down aligned with the crease



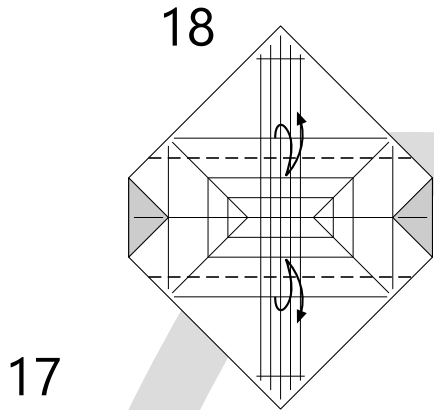
Fold and unfold through the circled intersection



Fold the tips to the crease line

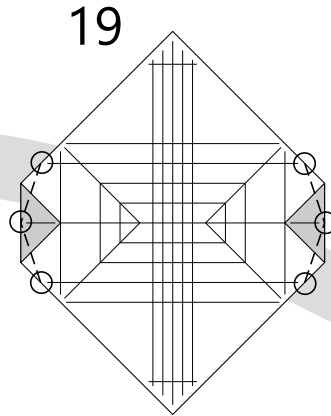


Unfold the top and bottom flaps



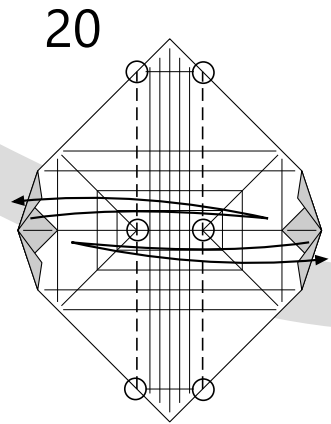
18

Fold edge to edge and unfold



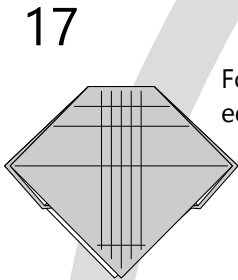
19

Fold the tips in through the circled intersections



20

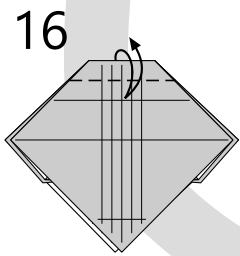
Fold and unfold through the circled intersections



17

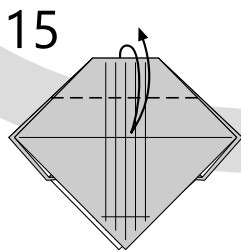
Fold edge to edge and unfold

Unfold back to step 13



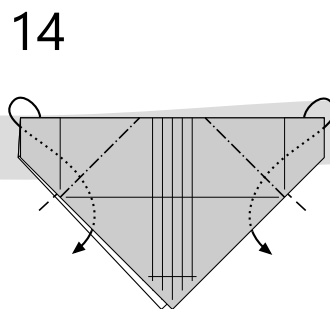
16

Fold and unfold in half



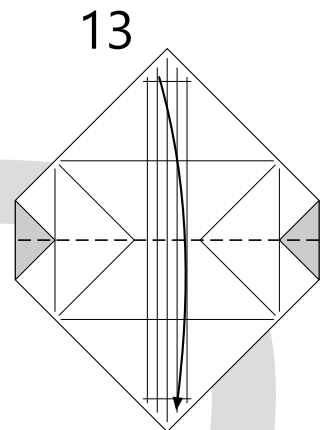
15

Fold and unfold in half



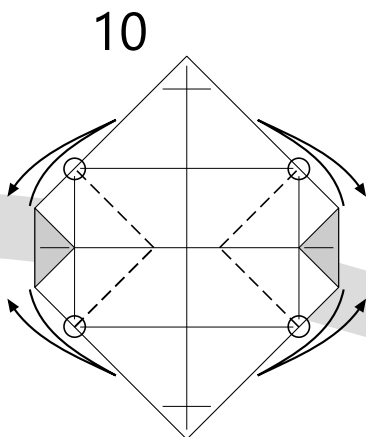
14

Reverse fold along existing creases



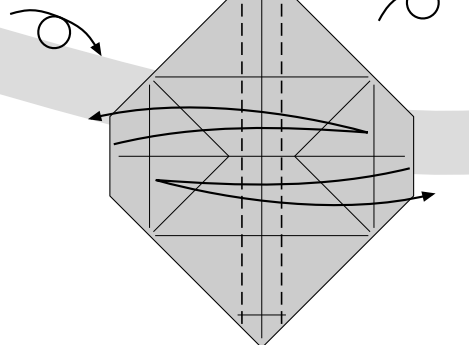
13

Fold in half



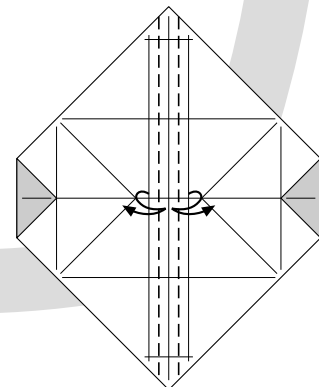
10

Fold and unfold through the circled intersections



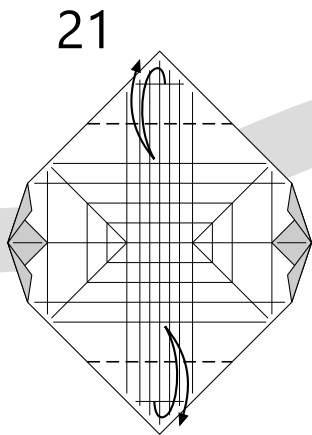
11

Fold the edge to the crease line and unfold



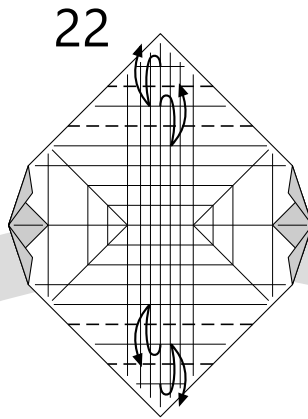
12

Fold and unfold in half



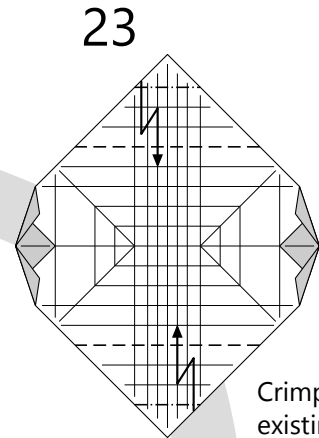
21

Fold and unfold



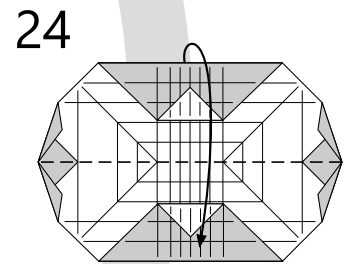
22

Fold and unfold



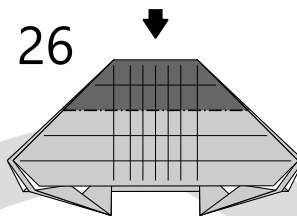
23

Crimp up along existing creases



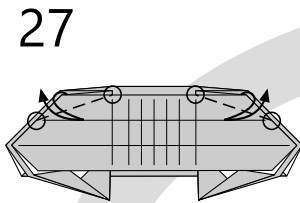
24

Fold down in half



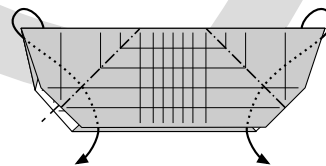
26

Open sink the darkened edge



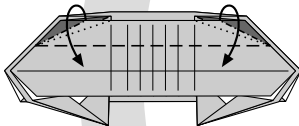
27

Fold and unfold through the circled points



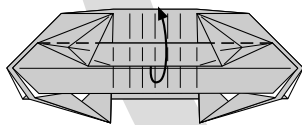
25

Reverse fold the edges



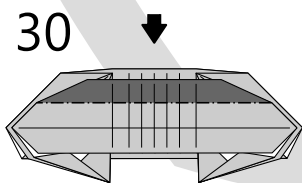
28

Fold down and spread sink



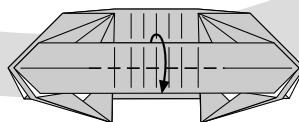
29

Fold the edge back up



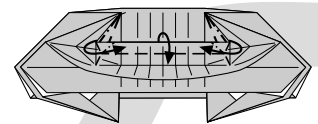
30

Closed sink the darkened edge



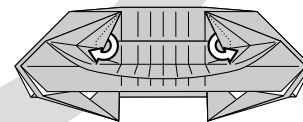
31

Open the edge slightly



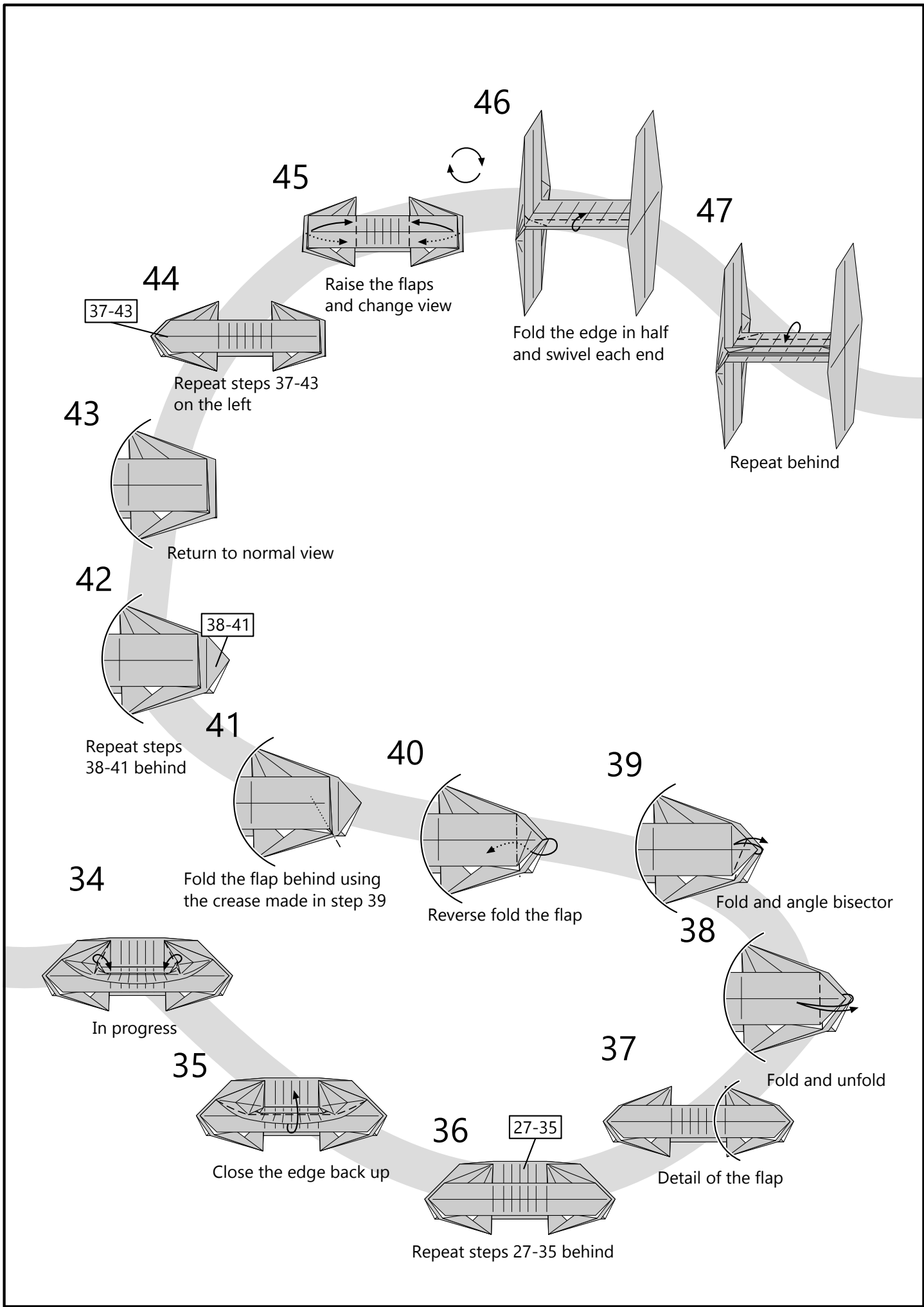
33

Fold the edge down in half whilst spread sinking the flaps

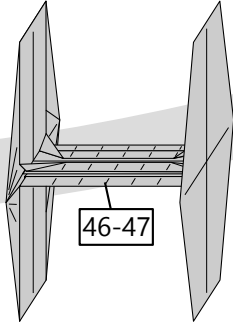


32

Bring the flaps to the front

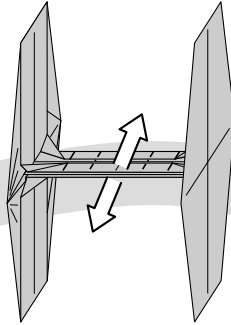


48



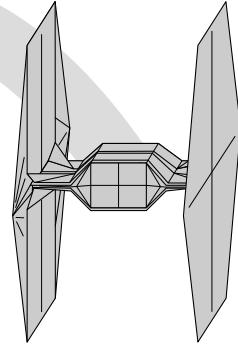
Repeat steps 46-47 underneath

49



Spread the layers to form the cockpit

50



Finished

